

FEMI SHONUGA-FLEMING

RISD ARCH 2141, Fall 2021

Critic: Critic Name

TABLE OF CONTENTS

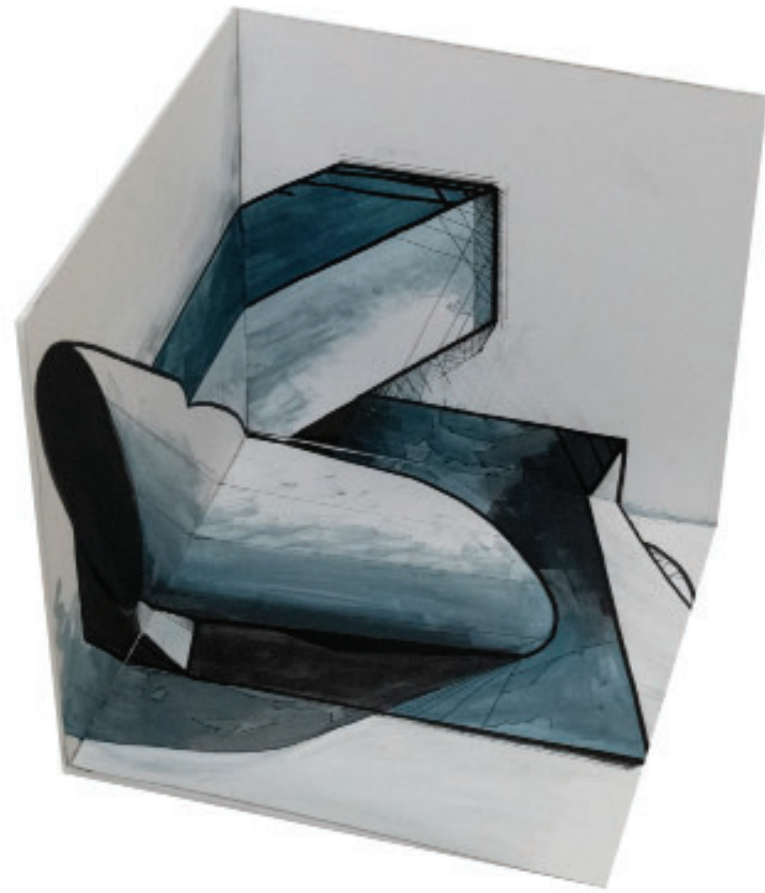
PC01: VOLUME INTERSECTION	01
PC02: ANAMORPHIC PROJECTION	02
PC03: DIMETRIC TUMBLE	07
PC04: SECTION PLANES	08
PC05: ORTHOGRAPHIC PROJECTION	10
PC06: SCIAGRAPHIC PROJECTION	16
PC07: AXONOMETRIC & OBLIQUE PROJECTION	18



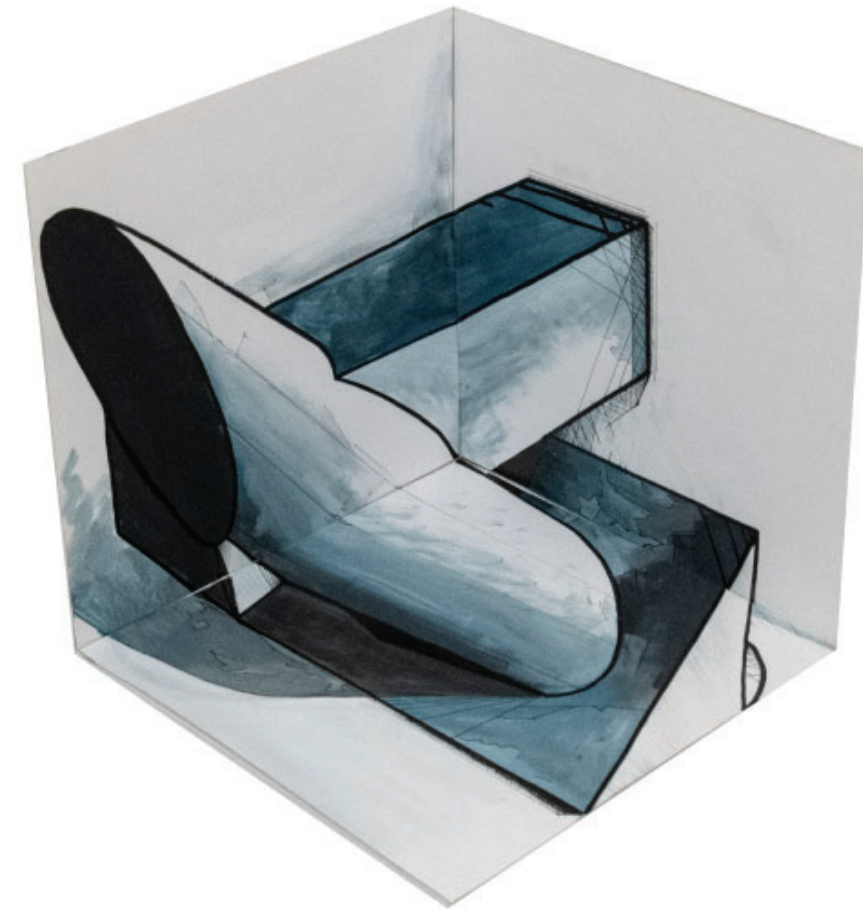
PC01: VOLUME INTERSECTION



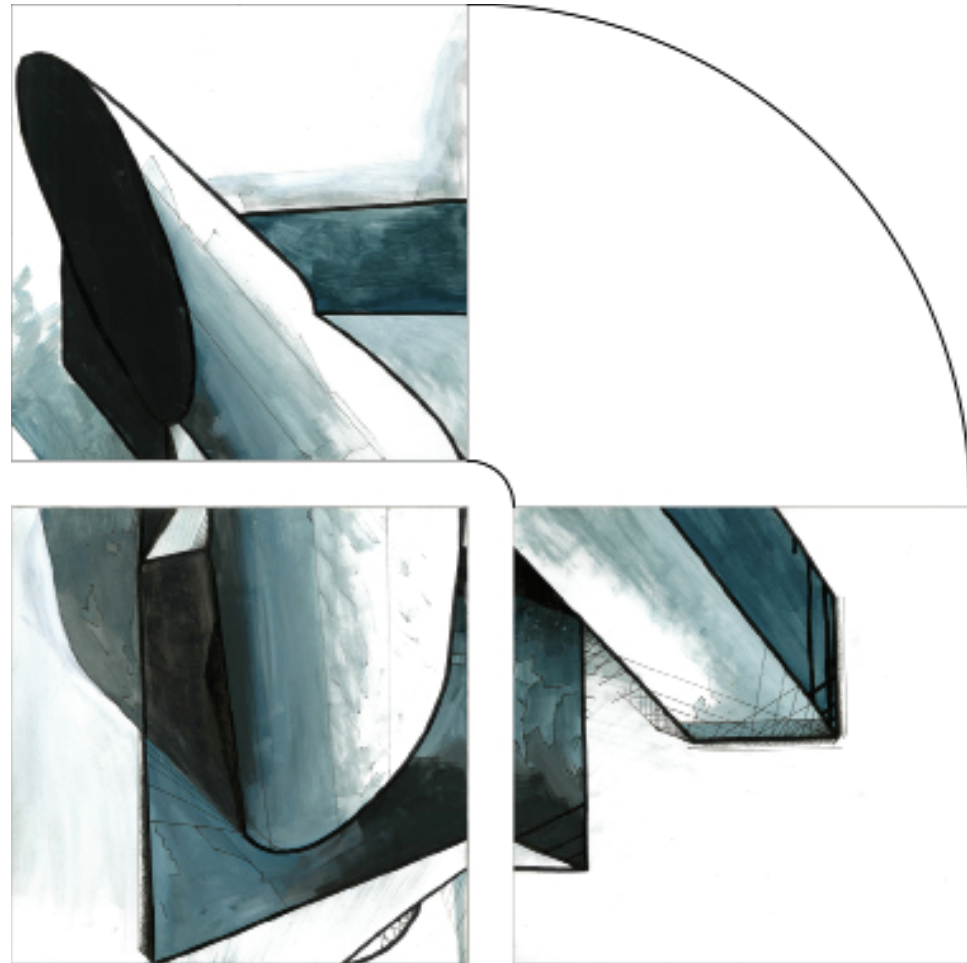
PC01: VOLUME INTERSECTION



PC02: ANAMORPHIC DRAWING, NON-PRIVILEGED VIEW

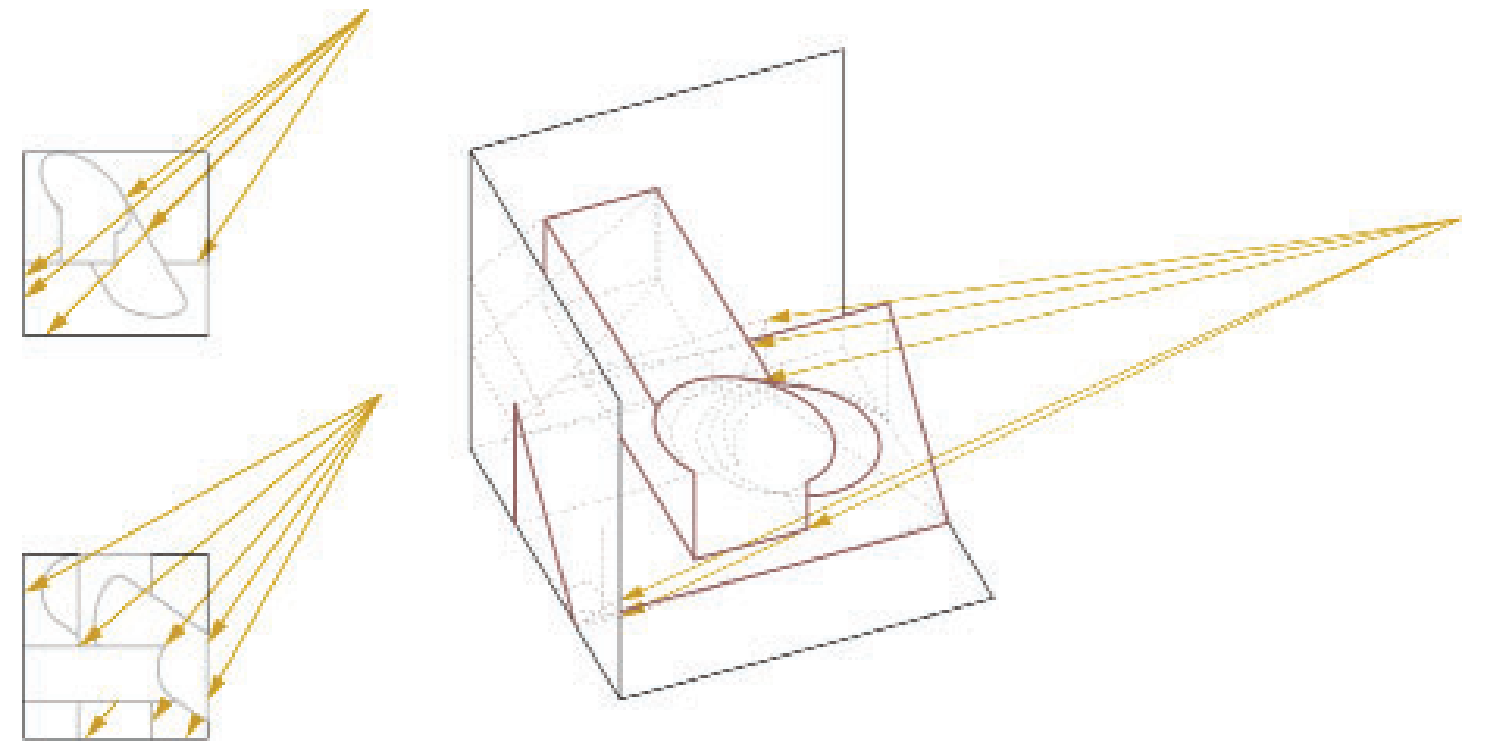


PC02: ANAMORPHIC DRAWING, PRIVILEGED VIEW



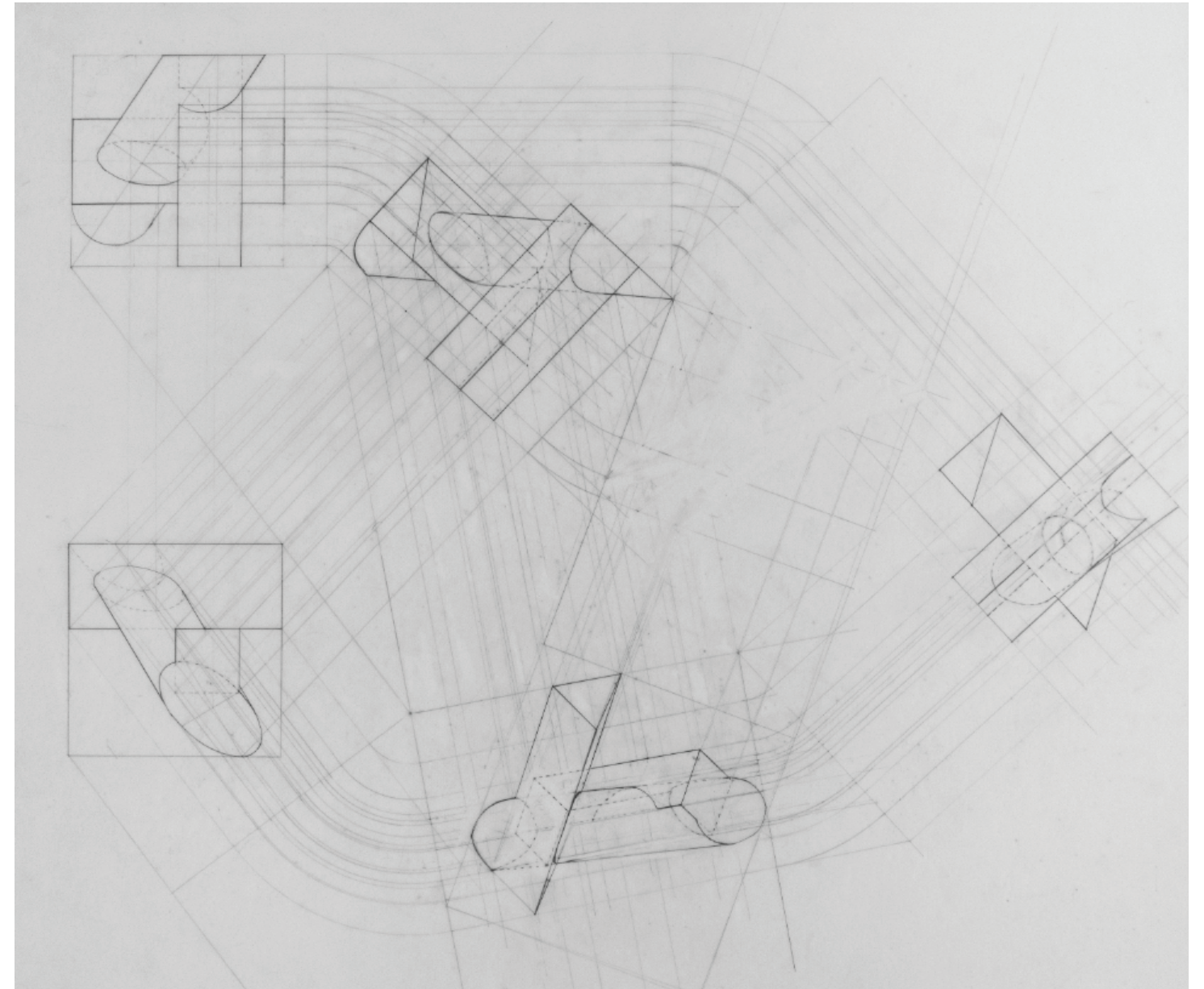
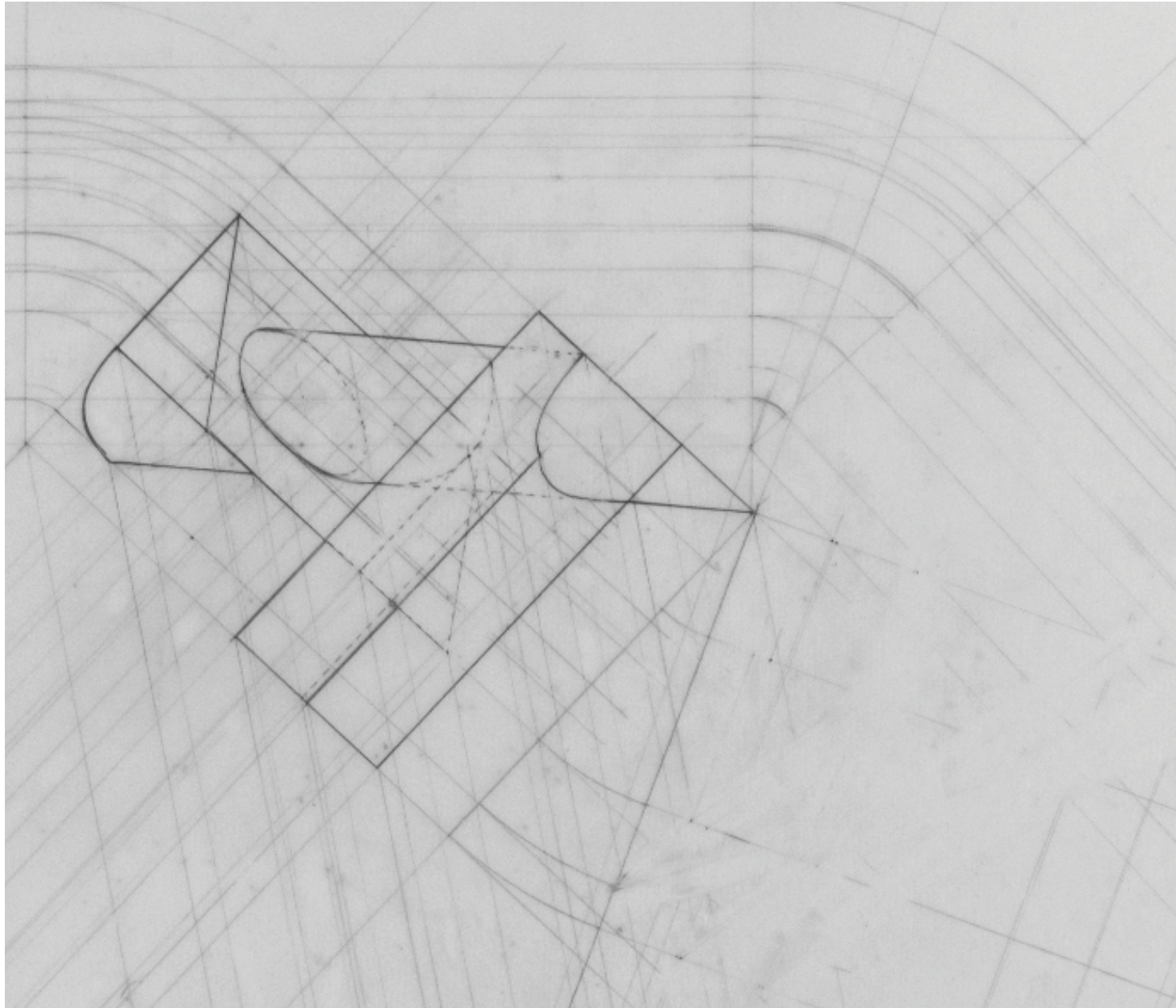
1/16" = 1'

PC02: UNFOLDED ANAMORPHIC DRAWING



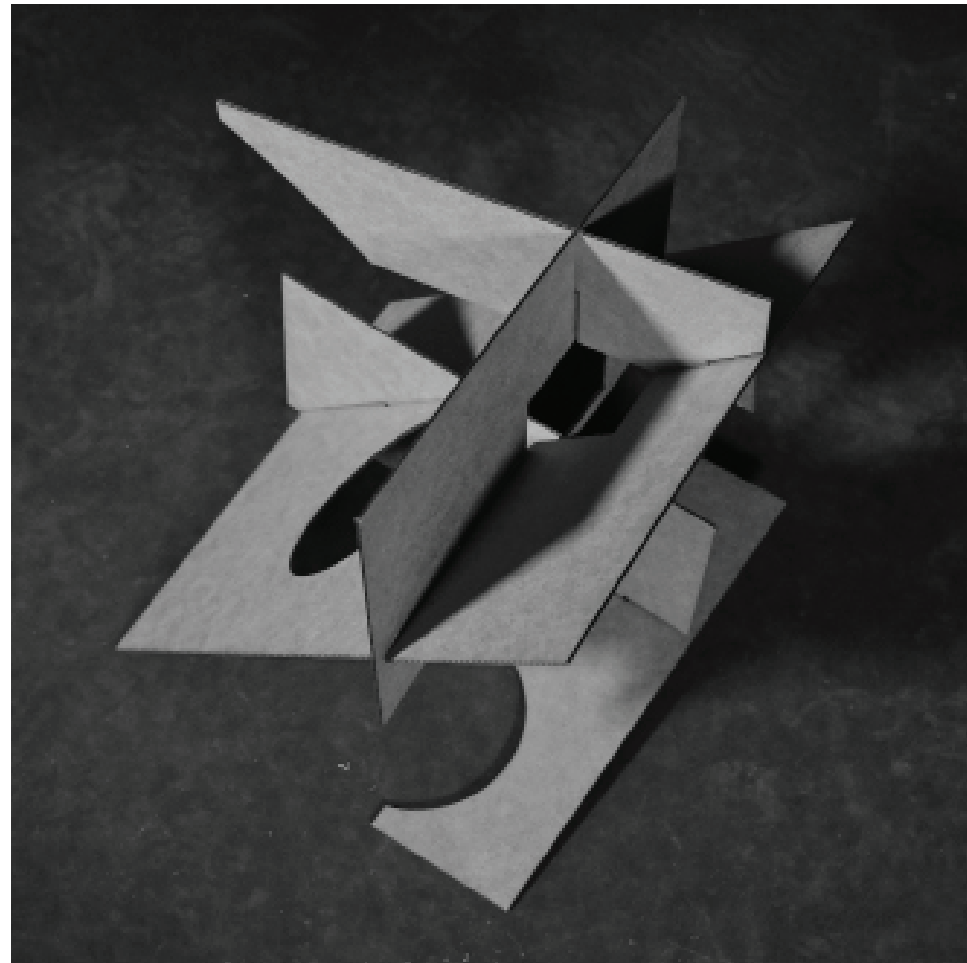
PC02: VANTAGE POINT RECONSTRUCTION

NTS

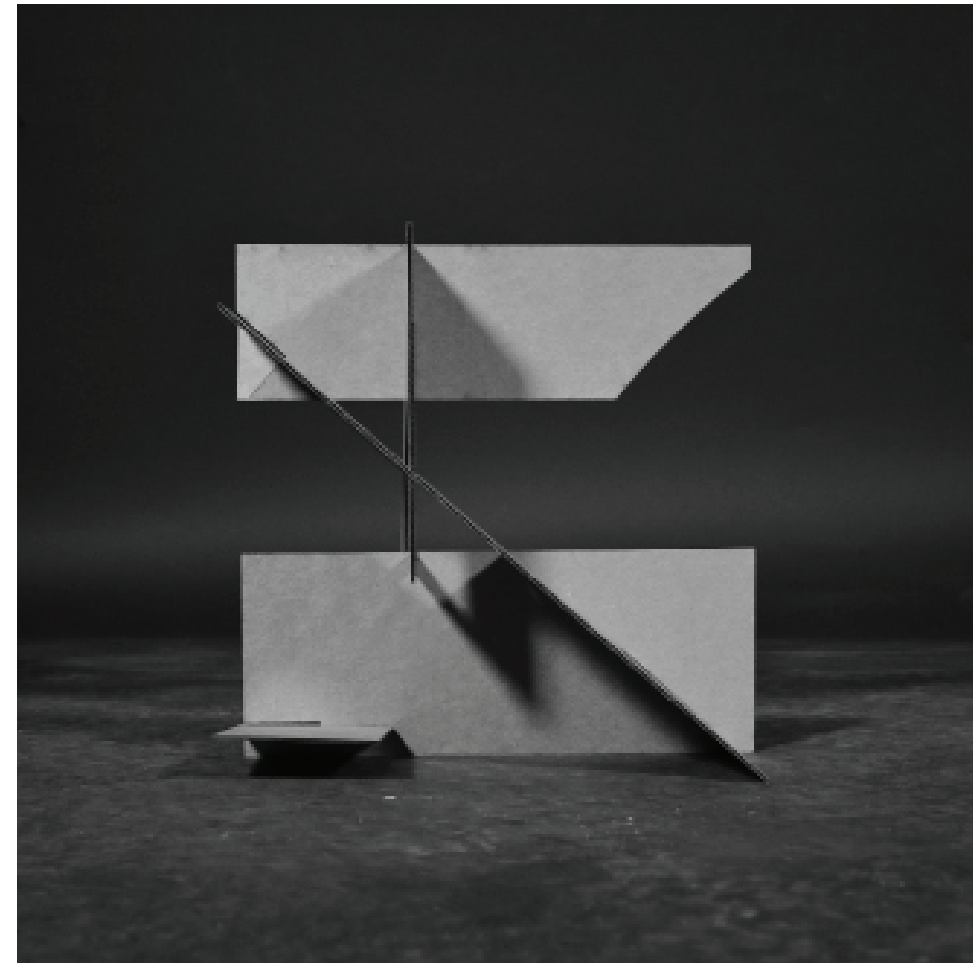


PC03: DIMETRIC TUMBLE

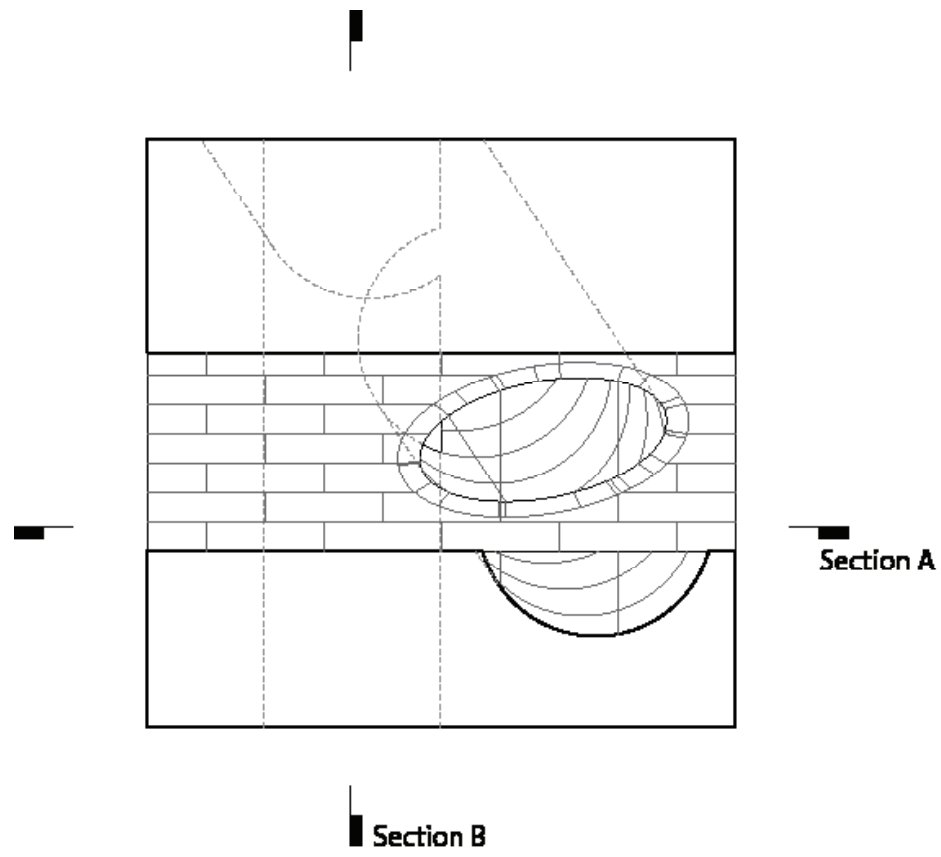
NTS



PC04: SECTION PLANES

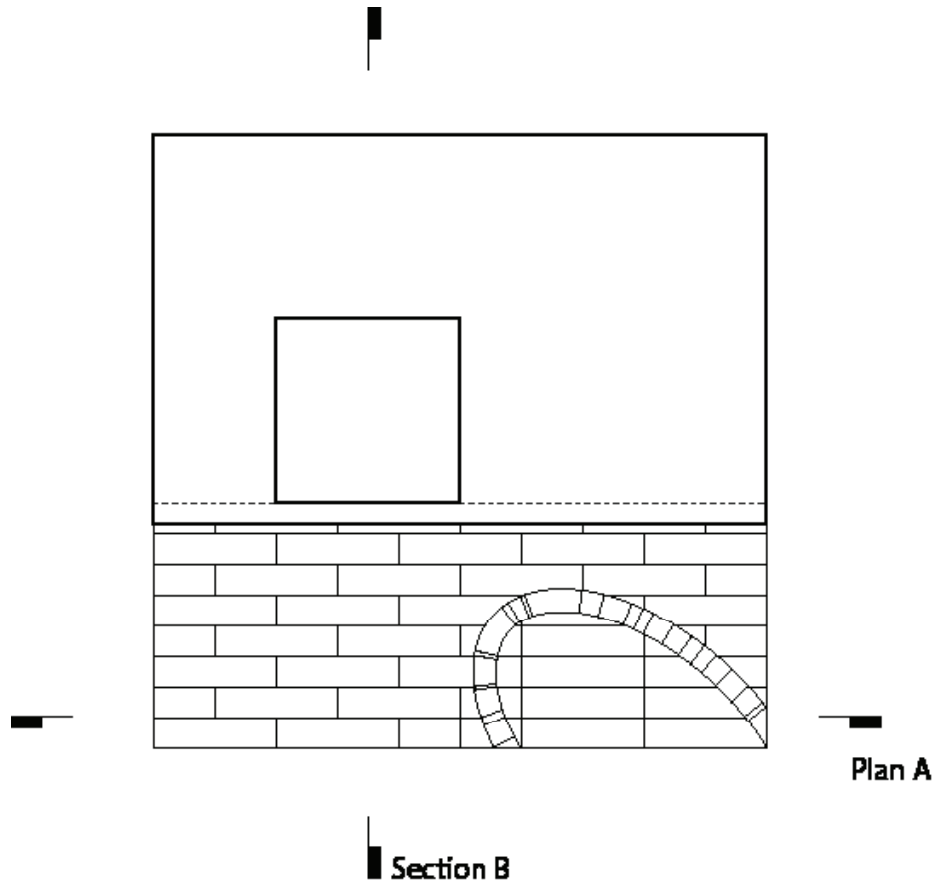


PC04: SECTION PLANES



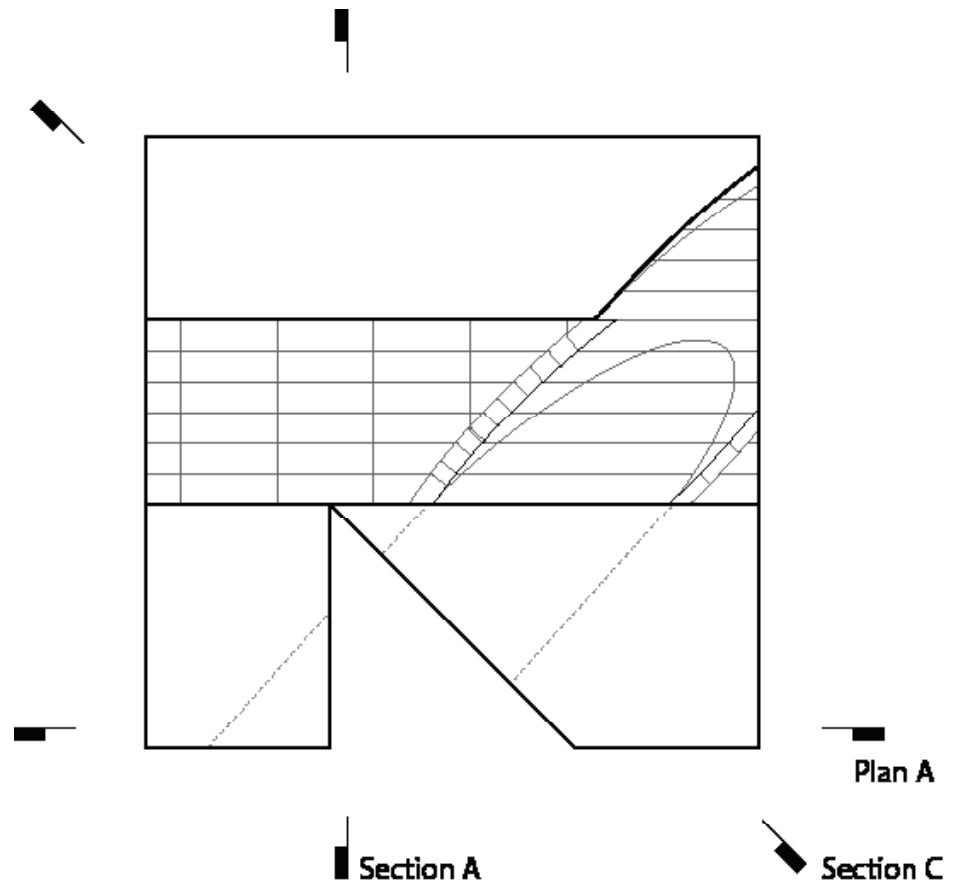
PC05: PLAN

1/4" = 1'



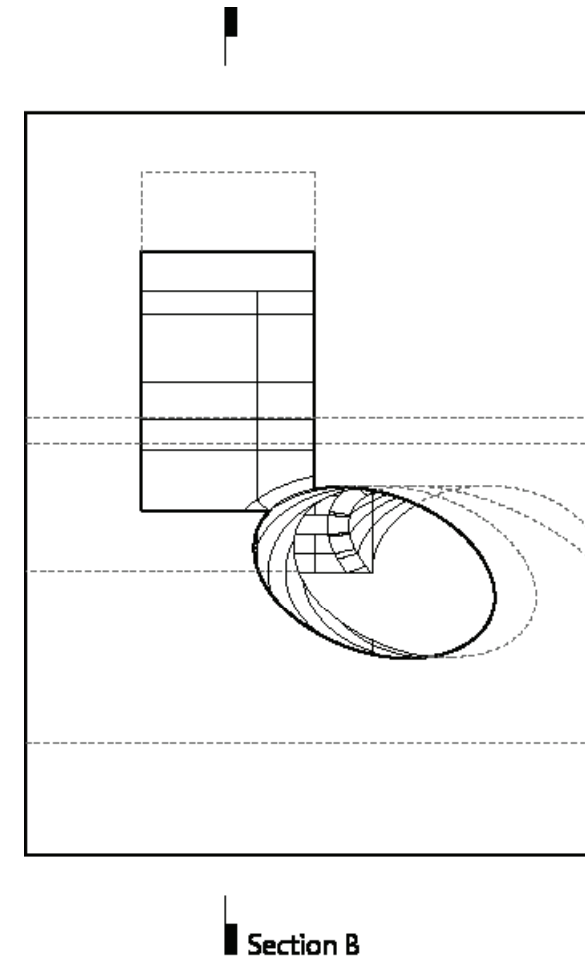
PC05: SECTION A

1/4" = 1'



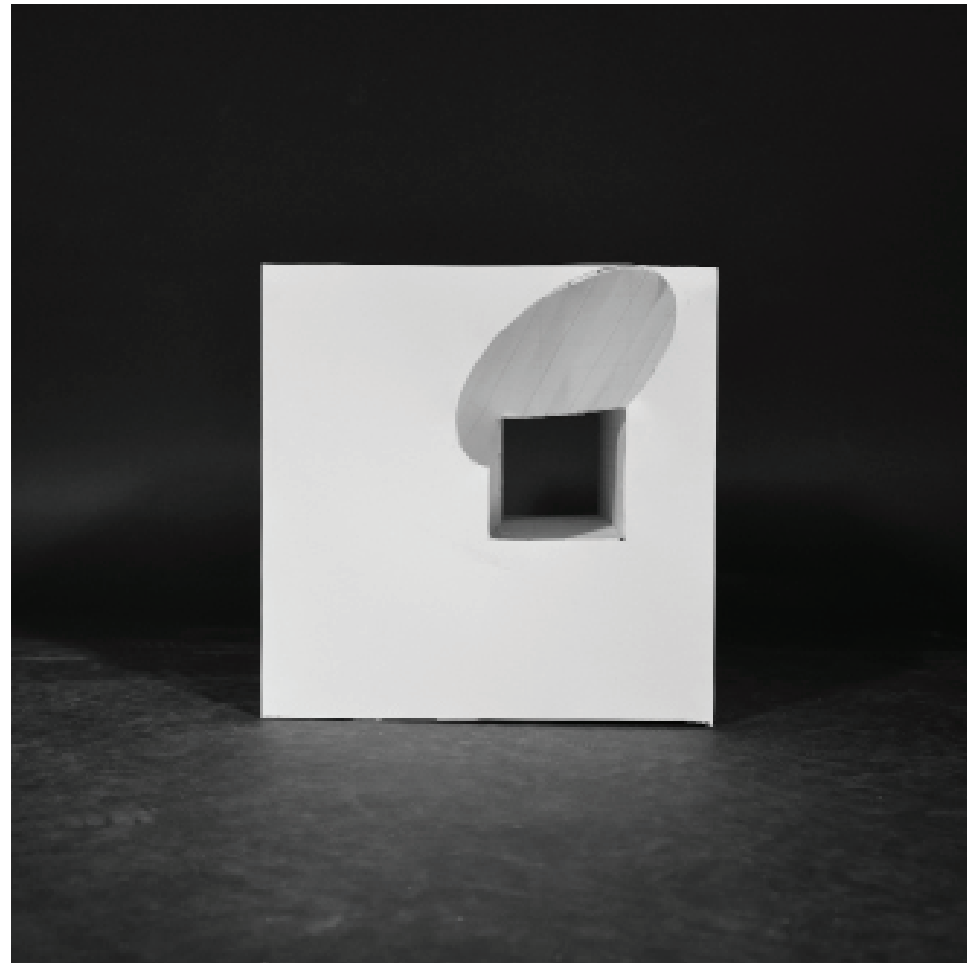
PC05: SECTION B

1/4" = 1'

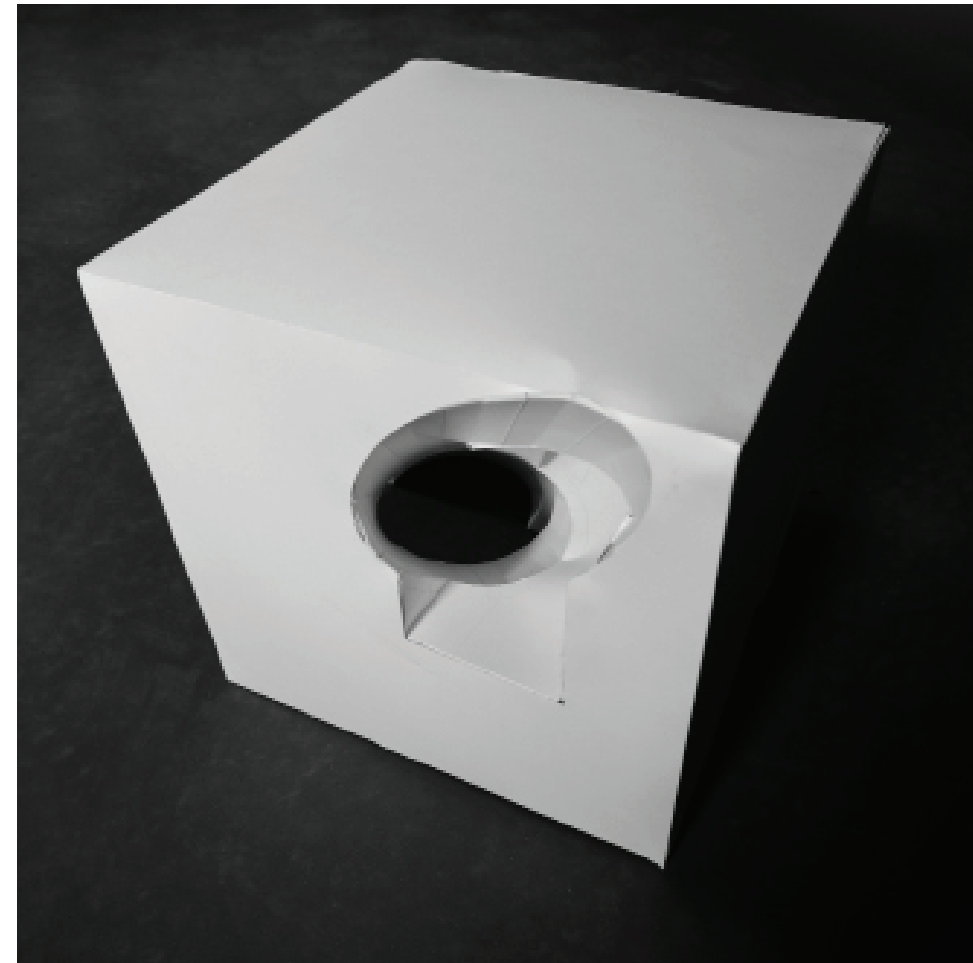


PC05: SECTION C

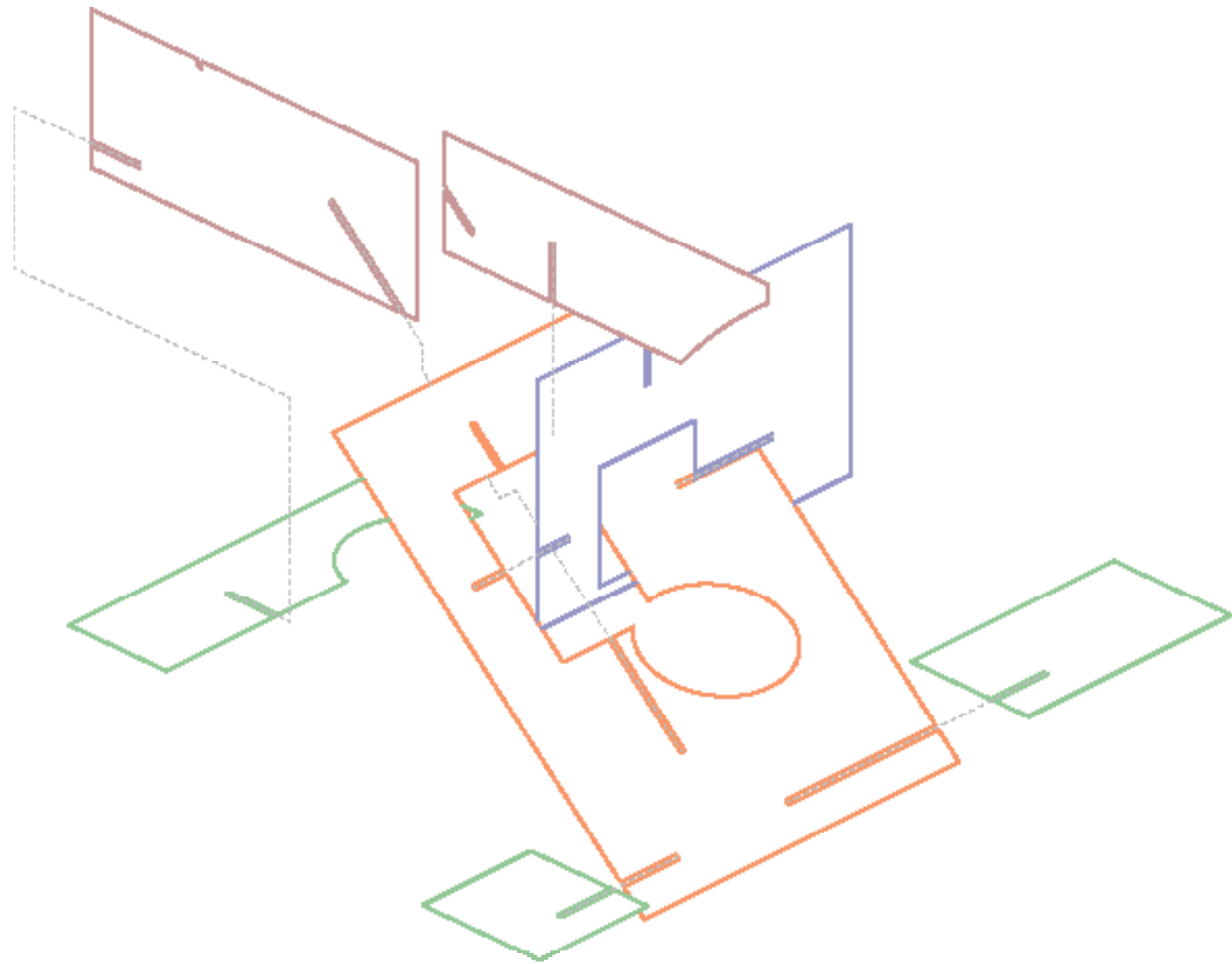
1/4" = 1'



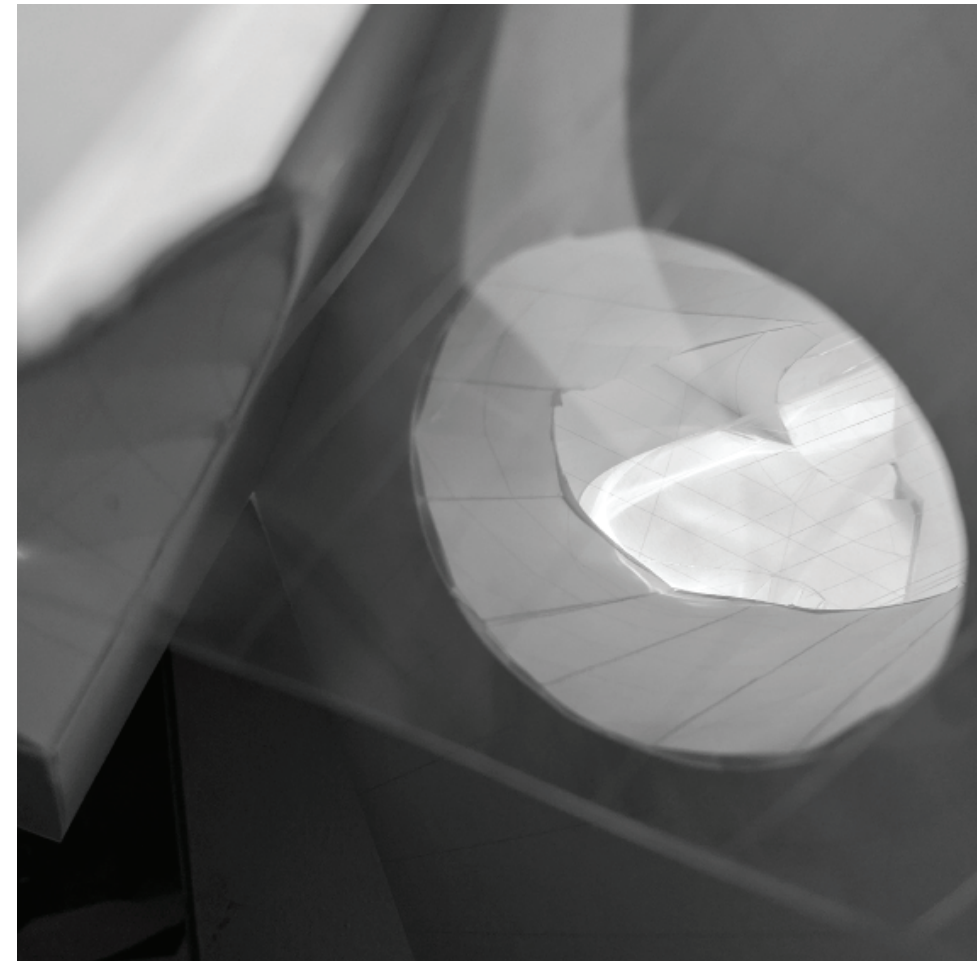
PC05: MODEL INTERIOR



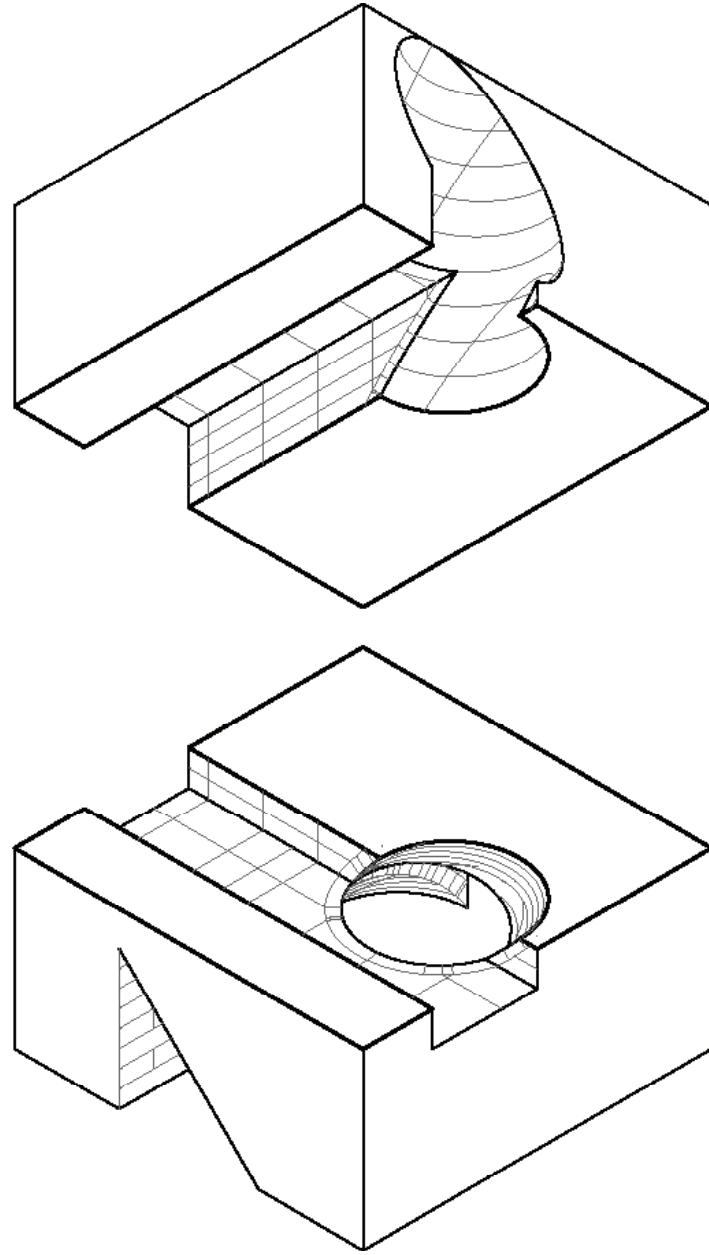
PC05: MODEL INTERIOR



PC06: SCIAGRAPHIC PROJECTION DIAGRAM

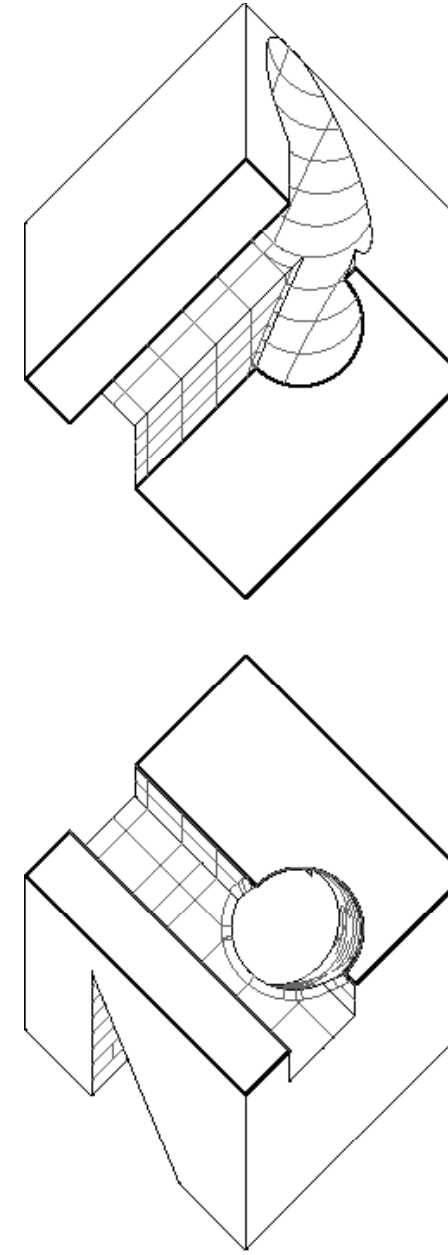


PC06: LIGHT VOLUME MODEL



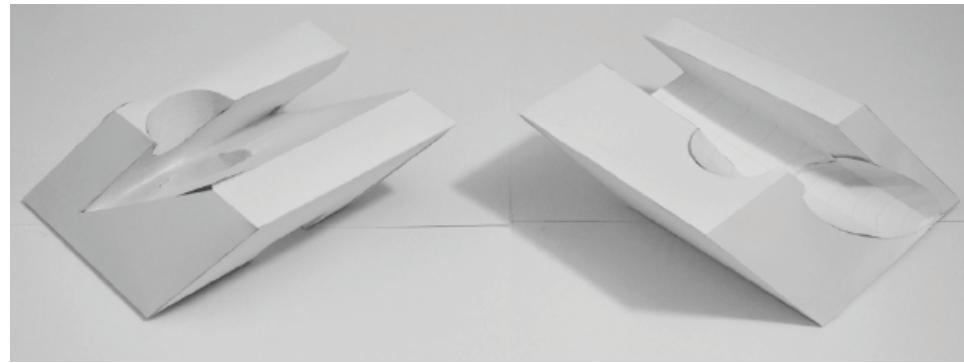
PC07: AXONOMETRIC PROJECTION

1/8" =
1'



PC07: PLAN OBLIQUE

1/8" =
1'



PC07: MODEL SIDE



PC07: MODEL FRONT